

VESTIBULE CONNECTOR

Part Number SO-VC8H

Quickly Connect Multiple Shelters Into A Large Complex

WESTERN SHELTER SYSTEMS

ISO 9001:2008 Registered Company



Key Features and Benefits

- Expandability: allows for unlimited expansion of Western Shelter systems
- Quickly deployable: integrates with the existing shelter in only 10 minutes by one trained person and one volunteer
- Additional square footage: expands the operational footprint with 56 sq. ft. of usable floor space in a 7' 8" x 7' 4" space with 6' head clearance
- Flexibility: connects to an existing shelter at the wall seam or doorway allowing you to expand to given footprint
- Negative/positive isolation can be achieved with Isolation upgrade kit
- Standardized components provide easy shelter integration

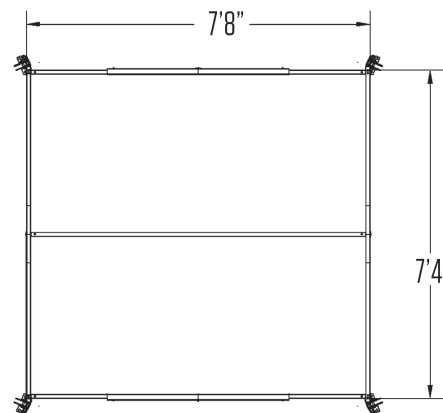
Standard Components

- Aircraft aluminum mainframe assembly constructed of 6063-T5/T6
- Sealable floor
- Integrated vinyl and insulation roof panels
- 3-part environmental partition
- Vinyl storage/transport bags



A Vestibule Connector with double doors installed

SO-VC8H Dimensions



SO-VC8H Specifications NSN Pending

| | | |
|----------------------------|----------------------|----------------------|
| Usable Area | 56 ft ² | (5.2m ²) |
| Total Weight | 65 lb | (29.5 kg) |
| Total Set Up-Time | 10 min / 1 personnel | |
| Dimensions | | |
| Footprint | 7' 8" x 7' 4" | (2.3 x 2.3 m) |
| Sidewall | 6' | (1.8 m) |
| Peak | 6' 7" | (2 m) |
| Packaged Dimensions | 92" x 17" x 12" | (2.3 x 0.4 x 0.3 m) |

